

How To Make A Wooden Snowflake | With Video

About
Me

I'm a sucker for **snowflakes**. There, I said it.

To me, they are a perfect example of artistic use of symmetry, and the only version of mathematics that doesn't make my head start hurting. (Typing the word "mathematics" just made my head start hurting.)

Last winter, I shared a tutorial on how to build large, [Reclaimed Wood Snowflake](#).

This time around, I came up with a slightly modified version.

For this tutorial, I used wood with a lower *sliver potential* rating, along with a video for people who like videos. (I like videos.)

If you don't like videos, I've got some diagrams below this "tools and supplies" image.

Wooden Snowflake

My Altered State

1 x 4 x 6 boards (4)

Tape measure

Miter Saw

Drill

3 inch bolt/_{with nut}

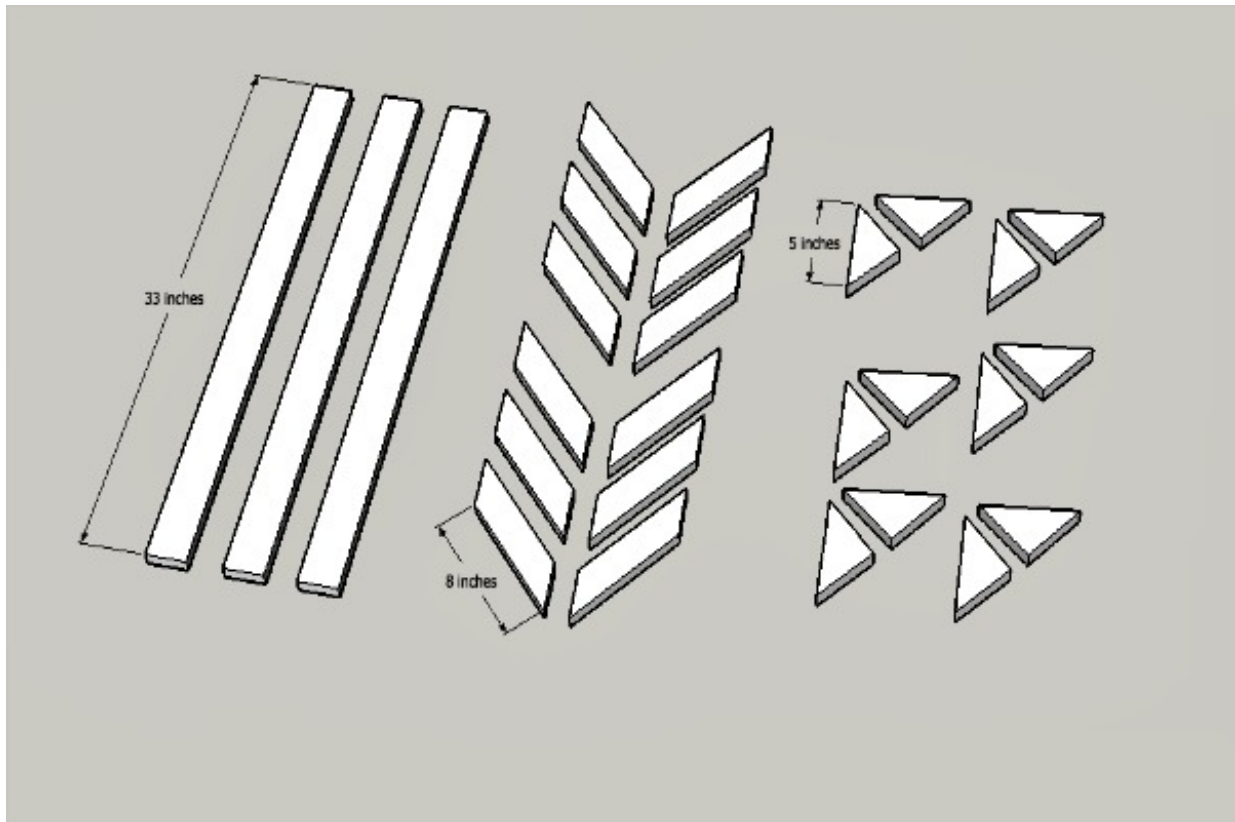
Wood glue

Nail gun, nails

(...or a hammer and nails)

(...or drill/driver screws)

(I fell down the rabbit hole that is Google Sketchup. It took me a while to climb out of it, but I managed to walk away with the following plan images.)



I recommend painting the pieces before assembling the wooden snowflake.

Wooden snowflakes are made up of:

3 **arms** @ 33 inches long

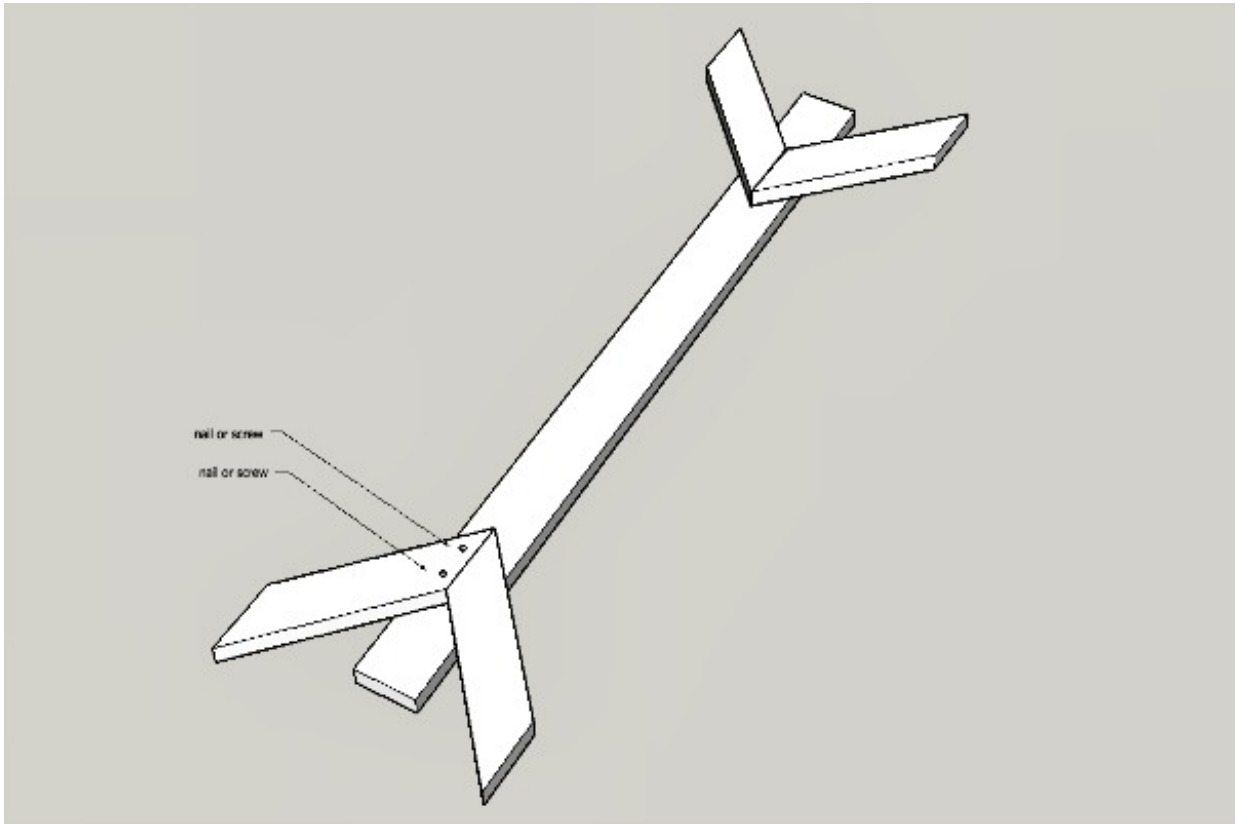
12 **V** pieces (which equal 6 “V’s”) @ 6 to 8 inches long, at a 30° angle

12 **triangles** (which equal 6 bigger triangles), also at a 30° angle

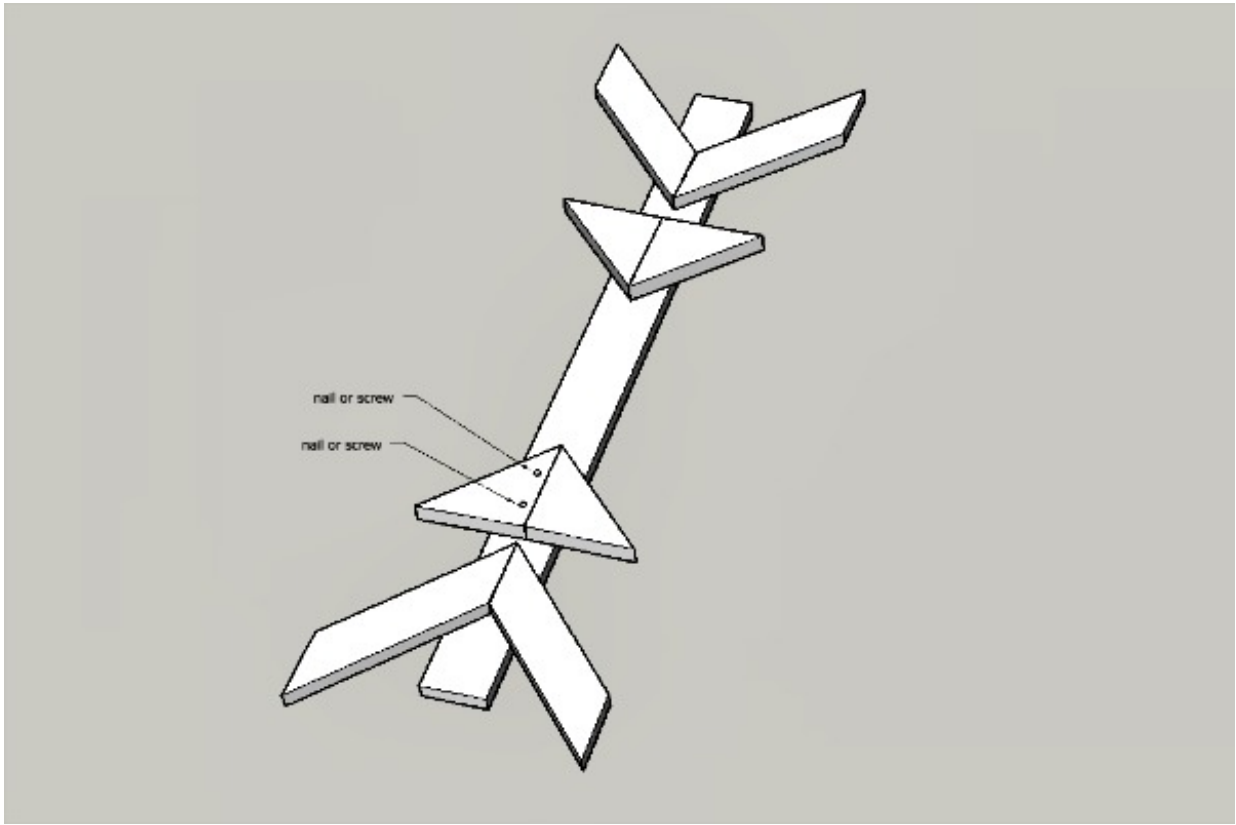
*The smaller the snowflake, the shorter the V pieces will need to be. For example, If you made a snowflake with arms that are 25 inches long instead of 33 inches, the V pieces would need to be shorter or else they would overlap each other when you put it together.

*Check out the video for easy tips on cutting and assembling these pieces quickly.

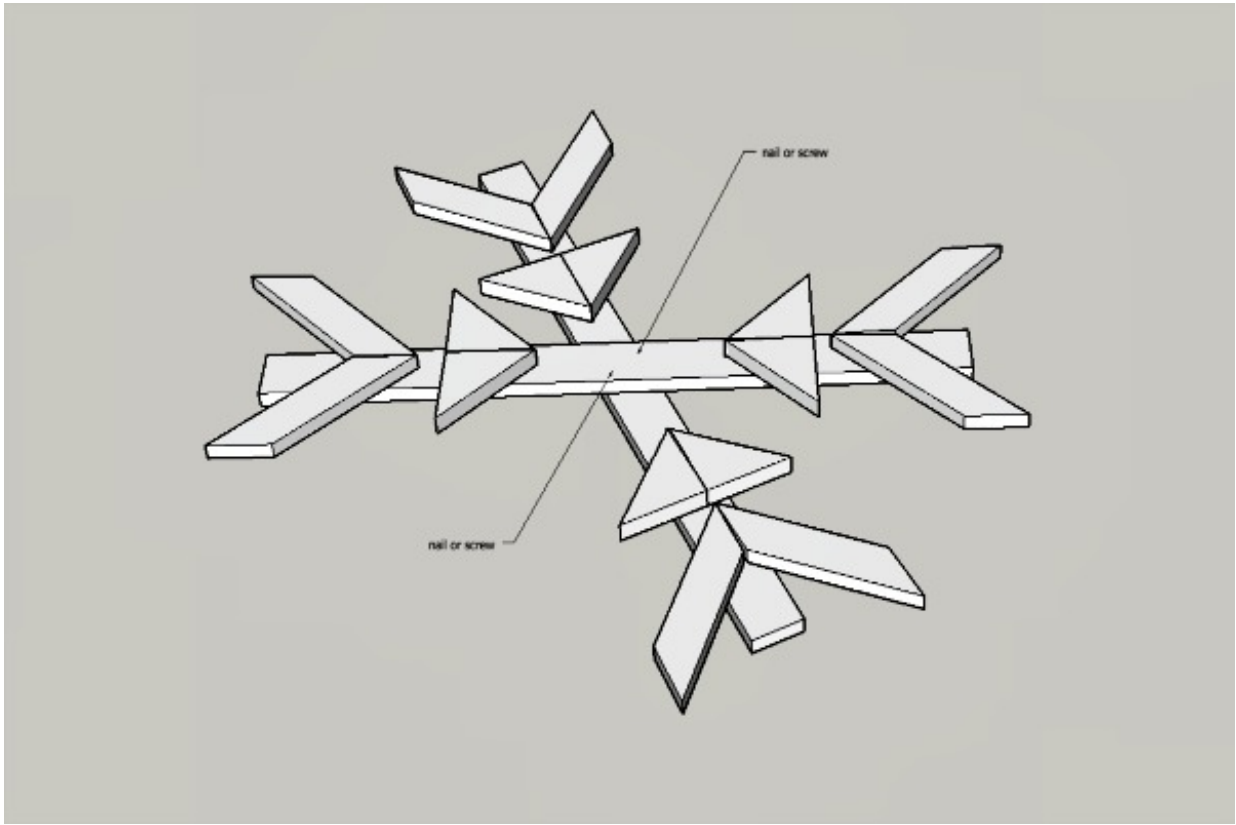
Step one of assembly: Attach the V’s.



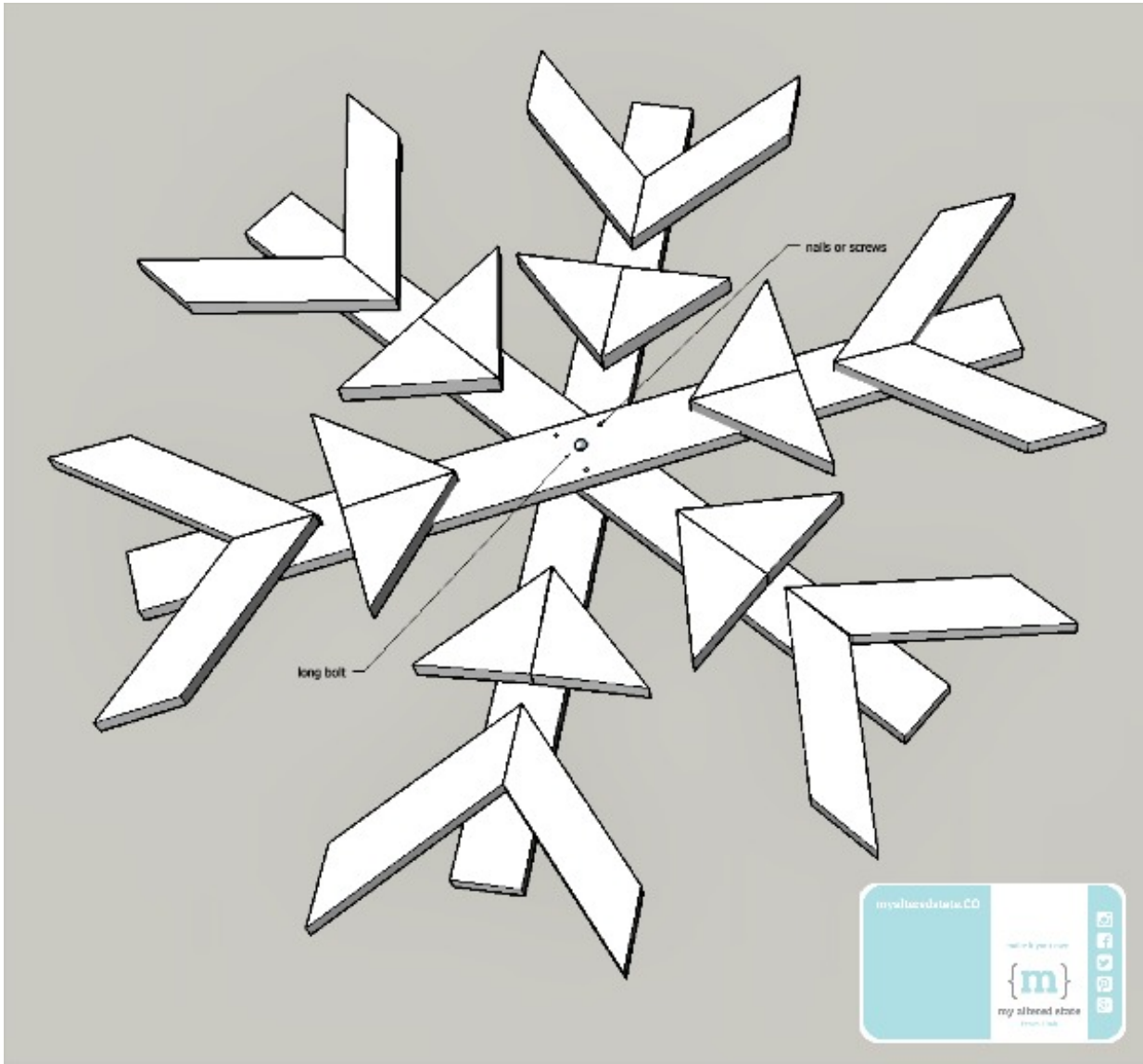
Step two: Attach triangles.



Step three: Stack assembled arms.



Step four: Drill center hole and secure snowflake from twisting.



Follow this up with some hardware on the back of one of the arms for hanging.

And, that's it! Bam! Snowflake!

How to Make a Wooden *Snowflake*



I posted these plans on [Ana White's website](#). Speaking of plans, Ana's site is a treasure trove full of them.

